

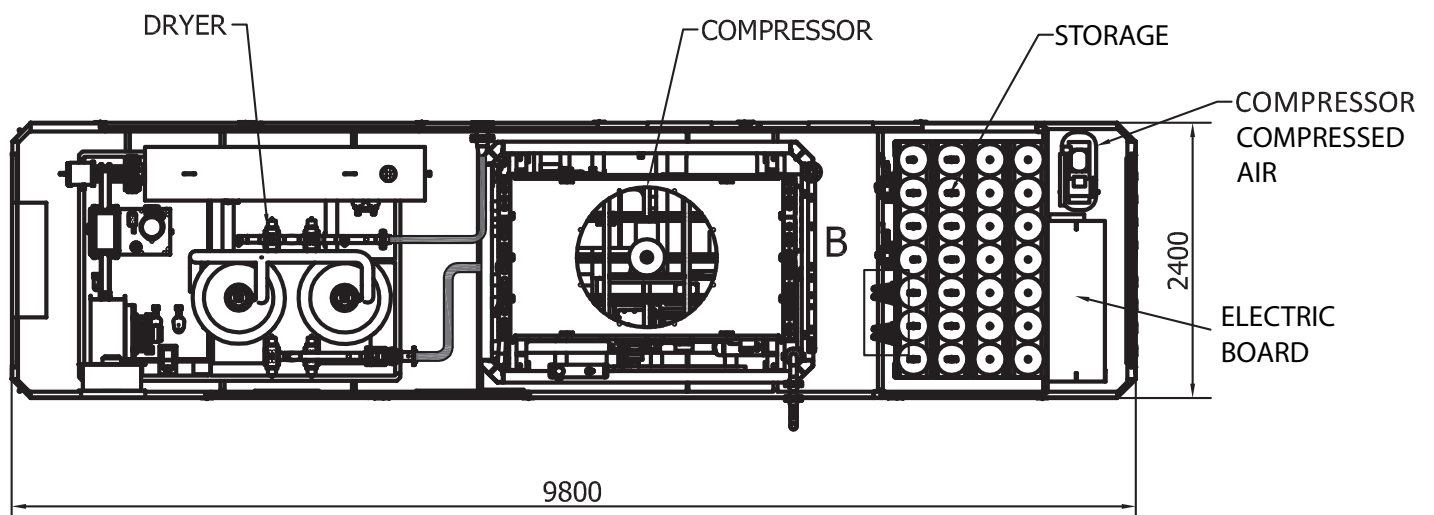
SMART BOX



GRAF S.p.A. is able to supply steel-made prefabricated solutions. These solutions allow to make complete stations composed of compressor and storage system under customer's request. **SMART BOX** is a turnkey solution and allows the customer to install and put into service the equipment with money saving.

All versions may be supplied with preassembled hydraulic and electric equipment.

STATION SAMPLE



MAIN TECHNICAL FEATURES

Single or double compressor room

Separate room for electric board

Additional room for storage

Lighting system and emergency lighting system

Cold kit for ambient temperature up to -40 °C

Additional gas chilling circuit

Soundproof version with sound pressure level up to 70 dB

Customized colour and finishes

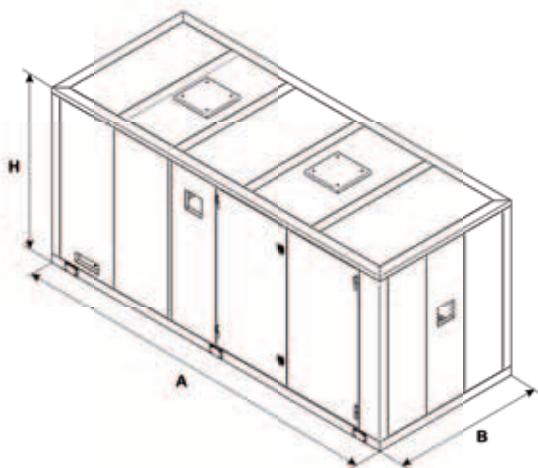
Condensate liquid drainage collector

Drainage collector

STANDARD CONFIGURATION (by request)

	2,5m (A) Mobile station	6m (A)	7m (A)	8m (A)	10m (A)
Compressor series W		•		••	•
Compressor series 2B		•		••	•
Compressor series 4B			•		
Compressor series 70-BOOSTER	•				
Storage (up to 2240Lt.)		•	•		•
Electric board (safe area)	•	•	•	••	•
Dryer					•

OVERALL DIMENSION



A 2,5 / 6 / 7 / 8 / 10 m

B 2430 mm

H 2780 mm

* Weight depends on station configuration.