

DRYER SERIES GRGDD



Non regenerative dryer series **GRGDD** is composed of two separate columns, filled with non regenerative material. When a column is in absorbing phase, the other one is in stand-by: in this way, it is possible to replace the absorbing material with total safety.

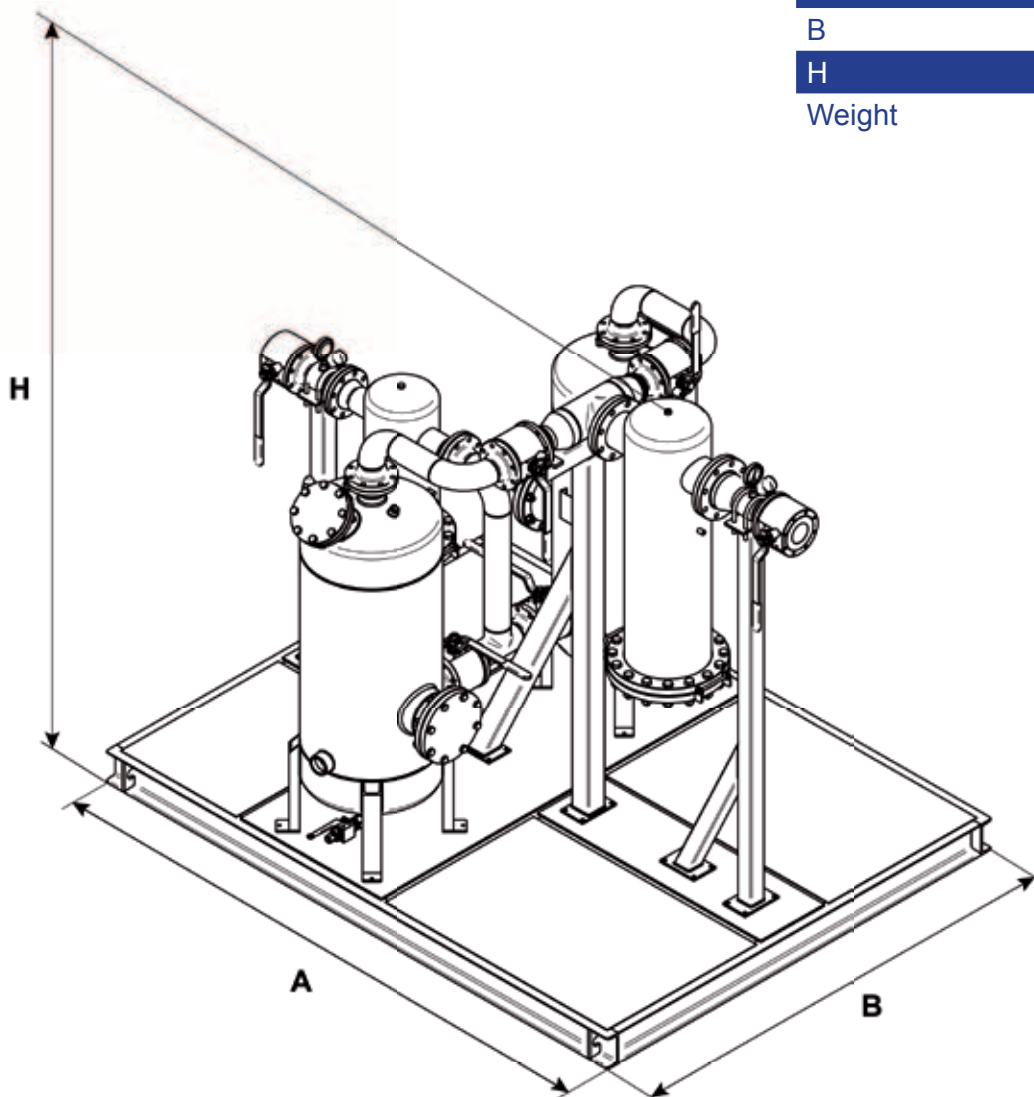
Work status change is made manually by the operator. Material used for absorption is of high-quality and helps the gas to reach a dew point up to $-80\text{ }^{\circ}\text{C}$.



MAIN TECHNICAL FEATURES

| GRGDD VERSION | |
|--------------------------------|---------------------------------------|
| Working pressure | 2÷6 bar / 6÷12 bar / 12÷20 bar |
| Capacity | 1500/2500 sm ³ /h |
| Number of columns | 1 or 2 columns |
| Quantity of absorbing material | 120 kg for each column |
| Filtration grade | Inlet filter 40 µ / Outlet filter 3 µ |
| Working temperature | -10° ÷ 50°C |

OVERALL DIMENSION



| | |
|--------|---------|
| A | 3000 mm |
| B | 2300 mm |
| H | 2470 mm |
| Weight | 2350 Kg |